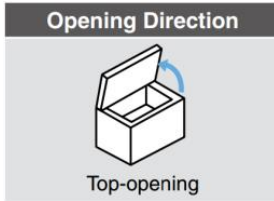


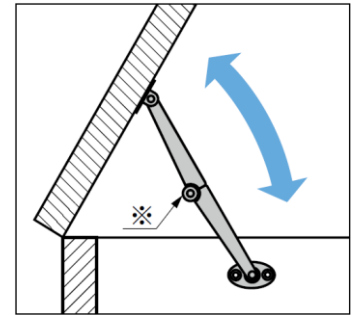
GS-6 / 16 Lid Stay

Top opening

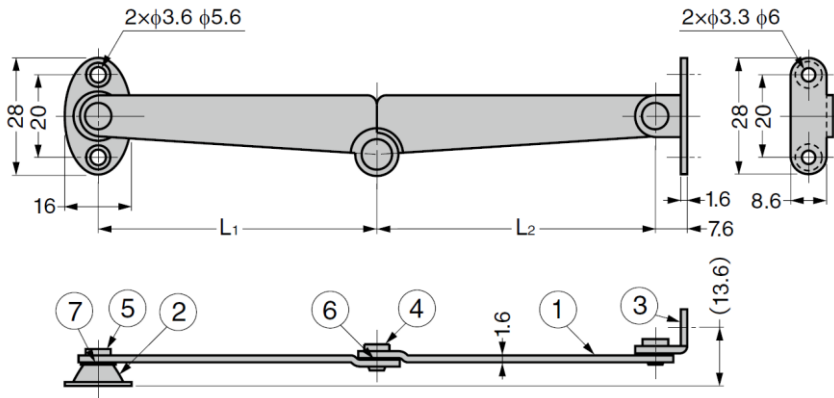


Notes

- When closing the door, operate while pulling the centre rivet (※ in right figure) toward you
- When installing this stay to sheet metal, be sure to perform thread relief processing (chamfering) on the mounting surface side (cabinet side). In this way, screw head will not protrude when the stay is fixed



Right-handed Illustration



Left-handed type shown.

No.	Part Name	Material	Finish
①	Body	Steel (SPCC)	Chrome
②	Mounting Plate		
③	Bracket		
④	Centre Shaft	Brass	Tin Cobalt Plating
⑤	Shaft		
⑥	Washer A	PA	Natural
⑦	Washer B		

Part No.	Type	L ₁	L ₂	Tension Force (per pierce)	
GS-6R	Right-handed	53	53	318 N	32.4 kg
GS-6L	Left-handed				
GS-16R	Right-handed	67	67	336 N	34.3 kg
GS-16L	Left-handed				